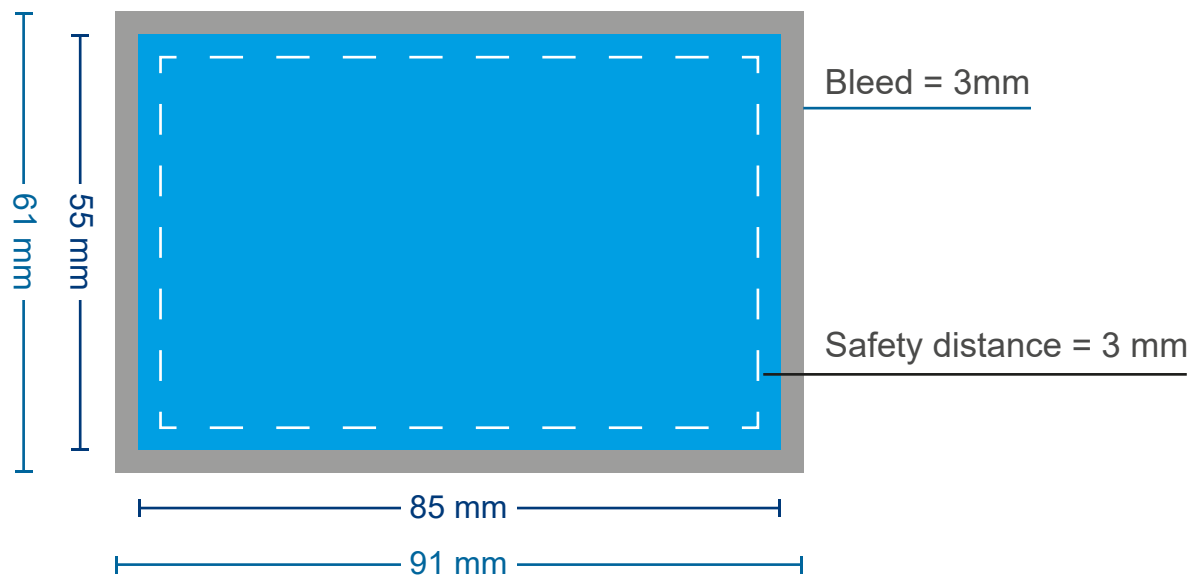


# Technical sheet for the design of business cards

Format: portrait or landscape

Size: 85 x 55 mm



## Format of the file to be supplied: 91 x 61 mm

Visible format: 85 x 55 mm + 3 mm bleed all around, for a total of 91 x 61 mm

### ACCEPTED FILES

Files saved as PDF or JPG format

in high quality (300 DPI for JPG)

Save in CMYK

Vectorized writing fonts

### DOCUMENT FORMAT

Format of the file to be supplied = format of the finished document + 3 mm bleeds all around

### SAFETY DISTANCE

Do not put important texts or information within 3 mm of the final card size